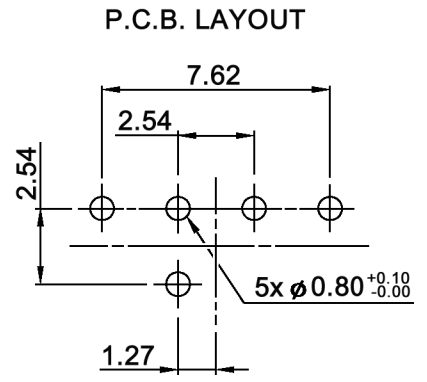


TYPE	CIRCUIT CHARACTERISTIC																
	CODE	POSITION ● ON															
		0	1	2	3	4	5	6	7	8	9	A	B	C	D	E	F
DRR 4016	1	●		●		●		●		●		●		●		●	
	2		●	●			●	●			●	●			●	●	
	4				●	●	●	●				●	●	●	●	●	●
	8								●	●	●	●	●	●	●	●	●

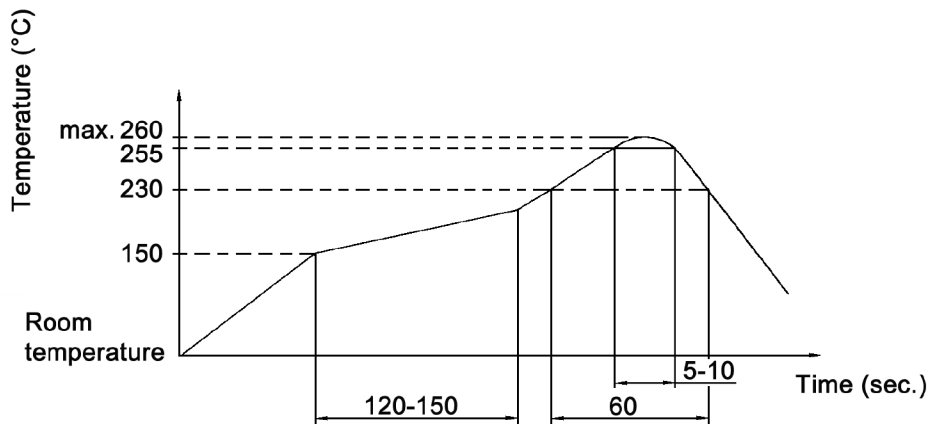


Compliance: RohS II (2011/65/EU)

Tolerances: ±0.20mm		Date	Name	<h1>DRR 4016</h1>
		12/07	dr	
Dimensions	02/09	dr	<h2>knitter-switch</h2>	<h1>30 13 18</h1>
Specifications	02/09	dr		
Dimensions	07/08	dr		
Operating temperature	04/08	dr		
Modifications	Date	Name		Page 1/2

Specifications:

Contact rating: non-switching: 100mA, 50V DC
 switching: 30mA, 15V DC
Contact resistance: 100mOhm max.
Insulation resistance: 1 000MOhm min. at 250V DC
Dielectric strength: 250V AC for 1 minute
Operating temperature: -40°C to +85°C
Mechanical life: 20 000 cycles min.
Operating force: 250 gf.cm max.
Material: Base / cover: high-temp. thermoplastic nylon UL94V-0,
 molded black
 Movable contact: alloy copper, gold plated
 Actuator: high-temp. thermoplastic nylon UL94V-0,
 color: yellow
 O-ring: silicone
 Spring: stainless steel
 Terminal: brass, gold plated
Soldering conditions: wave soldering: 260°C, 5sec. max.
 through hole reflow: 260 +/-5°C, 4-6sec.



Compliance: RohS II (2011/65/EU)

Tolerances: ±0.20mm			Date	Name	DRR 4016	
			02/09	dr		
			knitter-switch		30 13 18	Page
						2/2
Modifications	Date	Name				